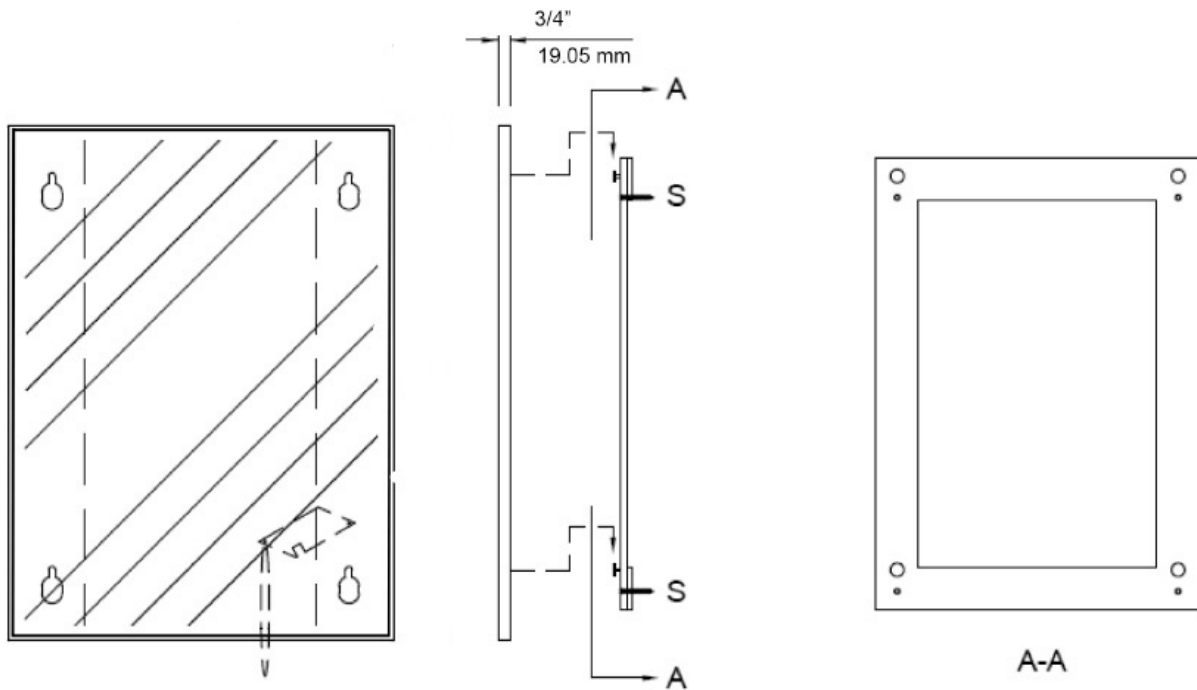


Infinity Floating Mirror M7112



Architectural
Spec Sheet

6201 S. Zero Street
Fort Smith, AR 72903
(479) 646-3466
www.meekmirrors.com



◀ **MIRROR:** #1 Quality 1/4" (6MM) Thick Float Glass Mirror, electrolytic copper Back, Guaranteed for 15 Years against silver spoilage. Other Glazes available.

◀ **MIRROR PROTECTION:** Protected by shock-absorbing expanded polystyrene sheets.

◀ **WALLHANGER:** 22 Gauge (.76MM) Quality corrosion-resistant galvanized steel strips with punched holes in support areas. The hanger is attached using a projection weld and has a tubular shoulder rivet in each corner.

◀ **FRAME:** 24 gauge (.55mm) 304 Stainless steel with a #4 satin finish with hemmed edges on all sides, and precision punched holes for wall hanger. All sides are bent to a 90° angle, and the corners are hand welded, sanded & finished to a #4 satin finish. The internal mirror supports shall be made with the same 24 gauge, 304 stainless steel and welded to the frame.

◀ **GUARANTEE:** Meek gives a one year guarantee on all of their products against defects in workmanship and material. Improper installation voids warranty. Mirror glass is guaranteed 15 years.

◀ **SPECIFICATION:** Product shall be Model M7112 as manufactured by Meek Mirrors, USA.

