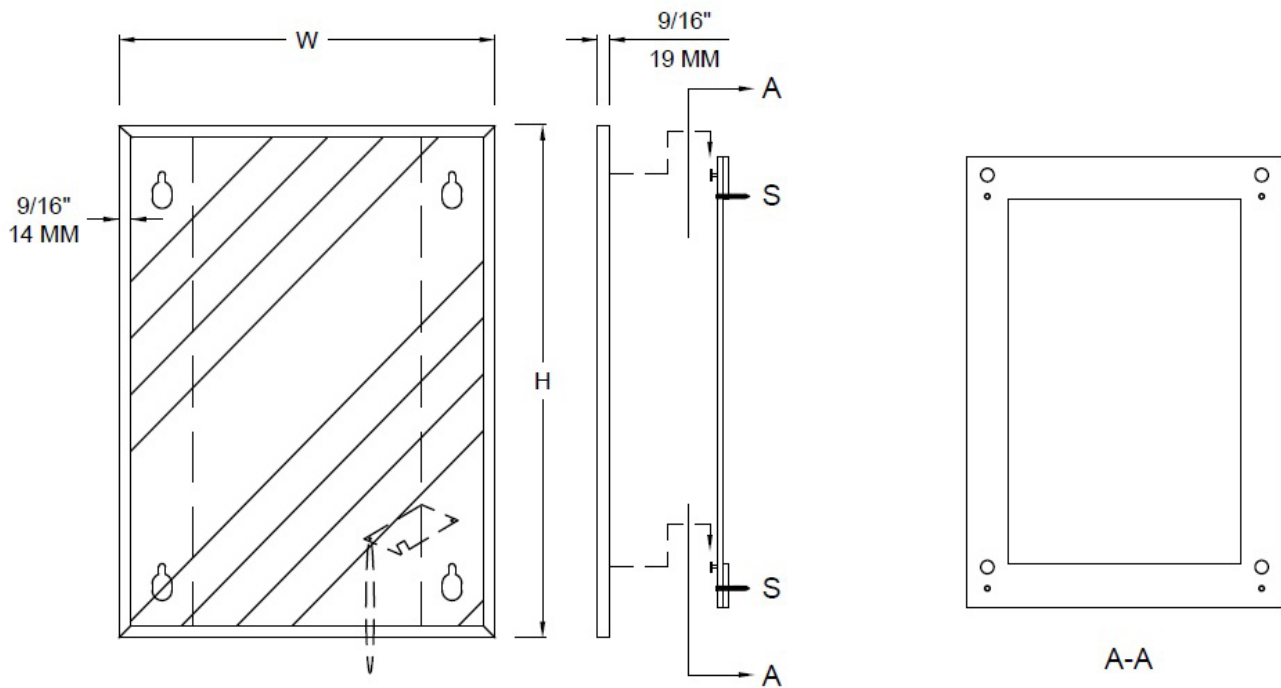


Contemporary Wall Mirror (M1260)



Architectural
Spec Sheet

6201 S. Zero Street
Fort Smith, AR 72903
(479) 646-3466
www.meekmirrors.com



◀**MIRROR:** No. 1 Quality 1/4" (6mm) thick float glass mirror, electrolytic copper back guaranteed for 15 years against silver spoilage. Other glazes are available.

◀**MIRROR PROTECTION:** Resilient ethafoam cushioning strips providing venting.

◀**BACK PLATE:** 22 gauge (.76mm) lock formed quality corrosion resistant galvanized steel.

◀**FRAME:** Welded corners, right angled-formed, Type 304, 18 gauge (1.06mm) stainless steel with Satin Finish. 3/4" inch depth. Face width as specified by customer.

◀**GUARANTEE:** Meek gives a one year guarantee on all of their products against defects in workmanship and material. Improper installation voids warranty. Mirror glass is guaranteed 15 years.

◀**SPECIFICATION:** Product shall be Model M1260 as Manufactured by Meek Mirrors, USA.



PRODUCT MADE IN THE USA.

VETEREN OWNED SMALL BUSINESS.