



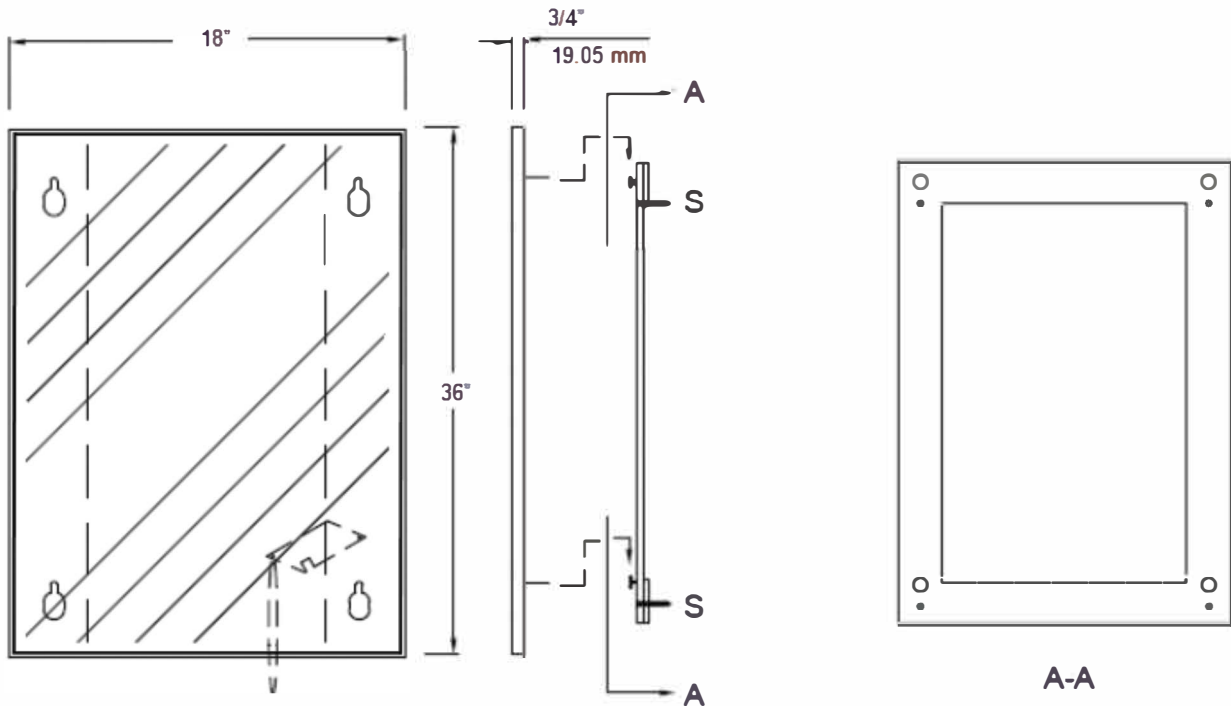
6201 S ZERO ST
FORT SMITH, AR

800-643-2533
MEEKMIRRORS.COM

M7112– Stainless Steel Boxed Frame

ARCHITECTURAL SPECS

AUGUST 2017



MIRROR: 1/4" thick, electro-copper plated, consisting of silver coating, copper coating, baked on backing paint, equal to and conforms to the applicable portions of Federal Specification DD-M-004 11 and shall be Type 1/Class 1/Quality Q2 & complies with ASTM C 1036-91.

Wall Hanger: 22 Gauge (.76mm) quality corrosion-resistant galvanized steel with precision punched holes in support areas. The hanger is attached using a projection weld and has a tubular shoulder rivet in each corner.

Frame: 24 gauge (.55mm) 304 stainless steel with a #4 satin finish with hemmed edges on all sides, and precision punched holes for wall hanger. All sides are bent to a 90° angle, and the corners are welded, sanded, and finished to a #4 satin finish. The internal mirror supports shall be of same 24 gauge (.55mm) 304 stainless steel, and welded to the frame.

Installation: Fasten all four corners of the theft resistant wall hanger. Center mirror over wall hanger and slide down to hook. Check all four corners. Pull string towards the right to engage the security lock. After final inspection, cut and remove string.

Removal: Push security lock to the left using a putty knife. Lift mirror up, and remove.

Warranty: There is a 15 year warranty against mirror spoilage (Void if appropriate cleaning chemicals or procedures are not followed), and there is a 1 year warranty against defects in workmanship. Tempered mirror does not have the same optic quality as 1/4" float mirror. There may be distortion, irregularities and haziness, therefore Meek does not warranty the surface quality of tempered mirror.

Specification: Product shall be Model M7112 as manufactured in the USA by Meek Mirrors, Fort Smith, Arkansas. Above data is applicable as of the date of this technical data sheet. The manufacturer reserves the right to make changes in design without formal notice.