



6201 S ZERO ST
FORT SMITH, AR

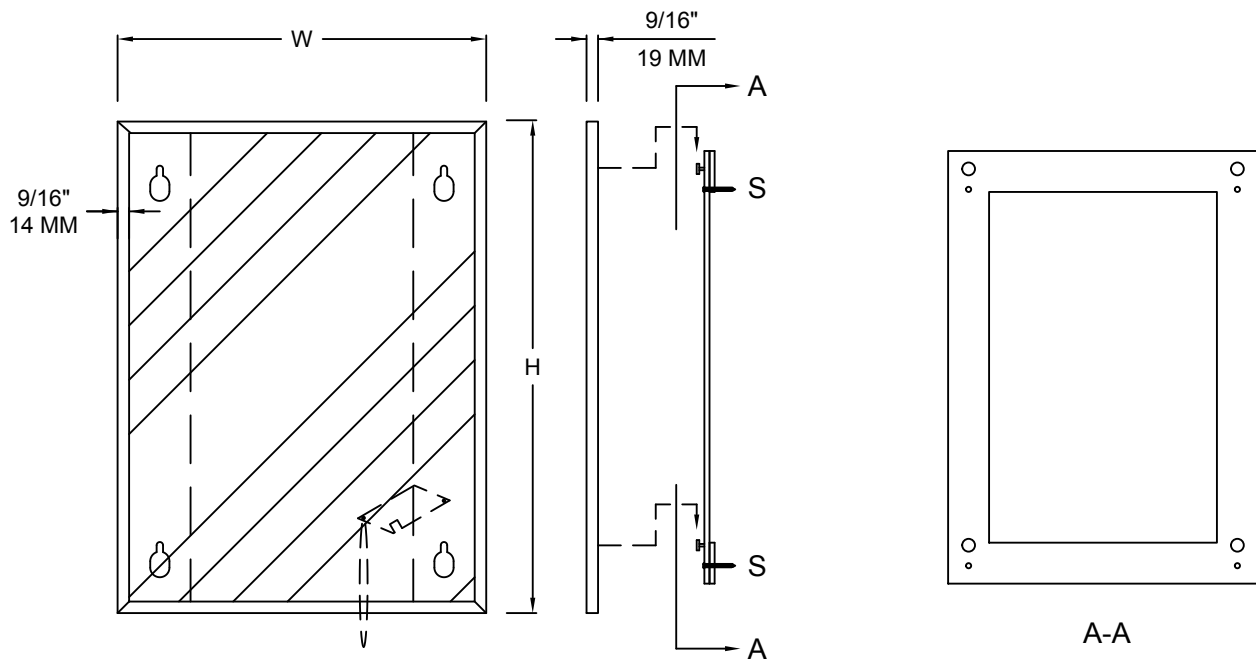
800-643-2533
MEEKMIRRORS.COM

CHANNEL FRAMED MIRROR M1500 (Bright) & M1510 (Satin)

ARCHITECTURAL SPECS

AUGUST 2017

M1500 / M1510 STAINLESS STEEL CHANNEL FRAMED MIRROR



MIRROR: NO.1QUALITY1/4"(6MM) THICK FLOAT GLASS MIRROR, ELECTROLYTIC COPPER BACK, GUARANTEED FOR 15 YEARS AGAINST SILVER SPOILAGE. OTHER GLAZES AVAILABLE.

MIRROR PROTECTION:PROTECTED BY SHOCK-ABSORBING EXPANDED POLYSTYRENE SHEETS.

WALLPLATE: 22 GAUGE (.76MM) QUALITY CORROSION-RESISTANT GALVANIZED STEEL STRIPS WITH PUNCHED HOLES IN SUPPORT AREAS.

BACKPLATE: 22 GAUGE (.76MM) LOCK FORMING QUALITY CORROSION-RESISTANT GALVANIZED STEEL STRIPS WITH PRECISION PUNCHED HOLES FOR QUICK, EASY INSTALLATION.

FRAME: CHANNEL FRAME, 9/16"X9/16"X9/16" (14MM X 14MM X 14MM), IS CONSTRUCTED FROM TYPE 430, 22 GAUGE STAINLESS STEEL WITH MITERED CORNERS IN SATIN BRUSHED FINISH ORABRIGHTPOLISHEDFINISH.

GUARANTEE: MEEK MIRRORS GIVES A ONE YEAR GUARANTEE ON ALL OF THEIR PRODUCTS AGAINST DEFECTSIN WORKMAN SHIP AND MATERIAL. IMPROPER INSTALLATION VOIDS WARRANTY. MIRROR GLASS IS GUARANTEED 15 YEARS AGAINST SILVER SPOLAGE.

SPECIFICATION: PRODUCT SHALL BE MODEL M1500 OR M1510 AS MANUFACTURED BY MEEK MIRRORS, USA.

PRODUCT MADE IN THE USA.

VETERAN OWNED SMALL BUSINESS