



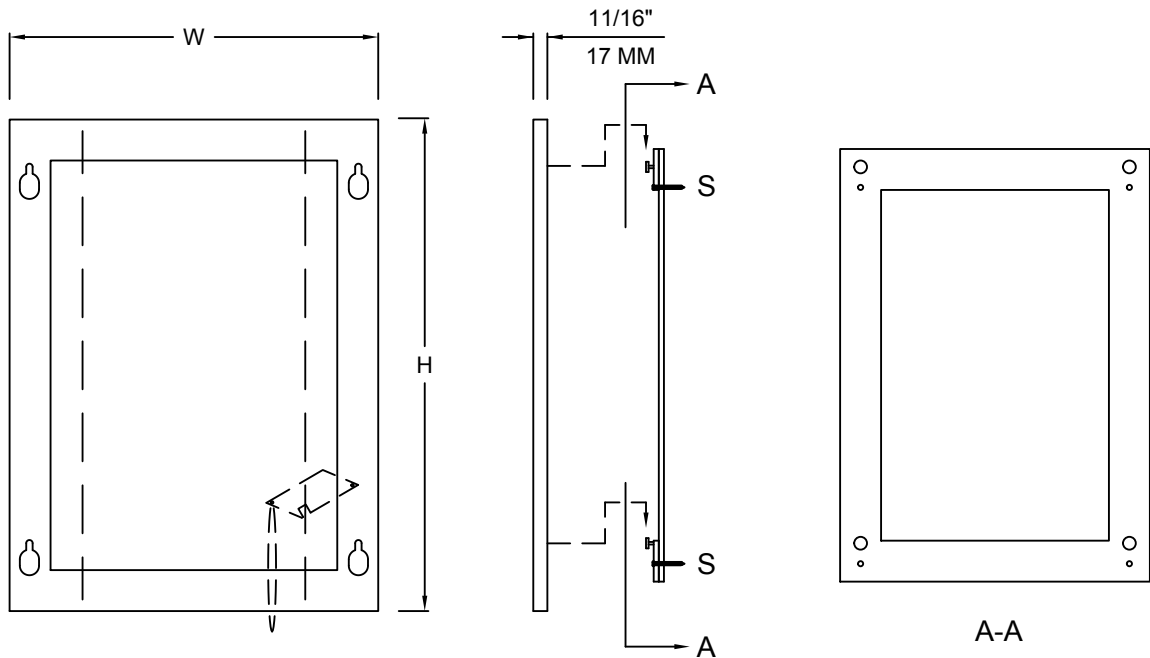
6201 S ZERO ST
FORT SMITH, AR
800-643-2533
MEEKMIRRORS.COM

PREMIER SERIES
CHARLESTON M1360

ARCHITECTURAL SPECS

JULY 2017

CHARLESTON M1360



MIRROR: NO. 1 QUALITY 1/4" (6 MM) THICK FLOAT GLASS MIRROR, ELECTROLYTIC COPPER BACK, GUARANTEED FOR 15 YEARS AGAINST SILVER SPOILAGE. OTHER GLAZES AVAILABLE.

MIRROR PROTECTION: RESILIENT ETHAFOAM CUSHIONING STRIPS WITH AMPLE PROVISION FOR VENTING

WALL PLATE: 22 GAUGE (.76 MM) QUALITY CORROSION-RESISTANT GALVANIZED STEEL STRIPS WITH PUNCHED HOLES IN SUPPORT AREAS.

BACK PLATE: 22 GAUGE (.76 MM) LOCK FORMING QUALITY CORROSION-RESISTANT GALVANIZED STEEL STRIPS WITH PRECISION PUNCHED HOLES FOR QUICK, EASY INSTALLATION.

FRAME: WELDED CORNER, BOTH THE FACE & SIDES, RIGHT ANGLE-FORMED, TYPE 304, 18 GAUGE (1.06 MM) STAINLESS STEEL HIGHLY FINISHED TO A SATIIN BRUSH FINISH. 1 1/2" (38 MM) FACE, 11/16" (17 MM) DEPTH.

GUARANTEE: MEEK MIRRORS GIVES A ONE YEAR GUARANTEE ON ALL OF THEIR PRODUCTS AGAINST DEFECTS IN WORKMANSHIP AND MATERIAL. IMPROPER INSTALLATION VOIDS WARRANTY. MIRROR GLASS IS GUARANTEED 15 YEARS AGAINST SILVER SPOilage.

SPECIFICATION: PRODUCT SHALL BE MODEL M1360 AS MANUFACTURED BY MEEK MIRRORS, FORT SMITH, ARKANSAS. ABOVE SPECIFICATION IS APPLICABLE TO PRODUCTIONS AS OF THE DATE OF THIS TECHNICAL SPECIFICATION SHEET. THE MANUFACTURER RESERVES THE RIGHT TO MAKE CHANGES IN DESIGN WITHOUT FORMAL NOTICE.

PRODUCT MADE IN THE USA.

VETERAN OWNED SMALL BUSINESS