

GENERAL INSTALLATION INSTRUCTIONS



Please read carefully and save these instructions.

Don't discard any of the packaging until you are sure that you have all of the parts and fittings.

Make sure the main power is shut off before installation. Use a licensed electrician.

IMPORTANT NOTICE

- ✚ This product contains glass parts. Care must be taken when fitting or handling these parts to prevent personal injury or product damage; if the glass is broken, please stop and replace it from your supplier.
- ✚ Ensure the mounting surface is dry and strong enough to bear four times the weight of this mirror for the safe installation of this fixture.
- ✚ Care must be taken before drilling holes to avoid any damage to existing concealed wiring or plumbing.
- ✚ A Licensed electrical contractor is strongly recommended.
- ✚ Disconnect electric power before installing.
- ✚ Do not install this lighted mirror inside the bath or shower itself or any area where it may receive a direct water spray or jet.
- ✚ Insure electric circuit to LED mirror is protected with a ground-fault interrupter (GFCI).

INSTALLATION

Please refer the installation diagram on the back of the page.

1. Remove the mirror panel from the steel base. (See Pic. 1)
2. Attach the mirror base to the wall. Installer must use appropriate fasteners. If fasteners are included, installer is responsible for deciding if they are correct for secure mounting. Mounting to wall framing such as 2 x 4 or 2 x 6 framing is preferred. Ensure the base is firmly attached against the mounting surface. (See Pic. 2 & 3)
3. Place the mirror base against the wall and mark the suitable position of the fasteners holes through the base ensuring the base is level. Drill the holes and install appropriate fasteners. (See Pic. 4)
4. Connect the cable by the screw-on wire connectors supplied in accordance with the following codes: **Black** wire to Live Terminal (L), **White** wire to Neutral Terminal (N), **Green** wire to Earth Terminal (E) (120V, 60Hz) (See Pic. 5)
5. Hang the mirror to the steel base. (See Pic. 6)

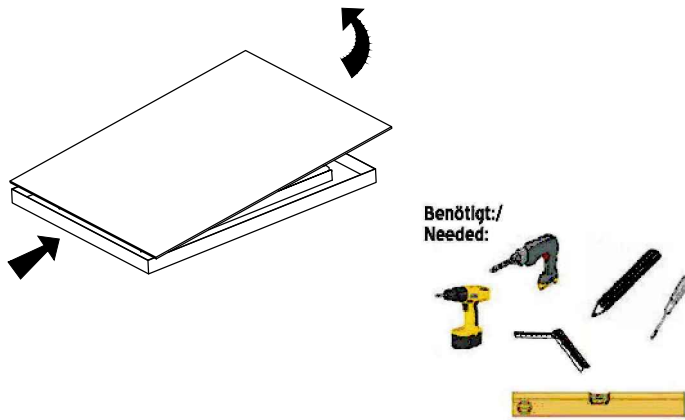
MAINTENANCE

- ✚ Wipe clean with a soft damp cloth. **Never use abrasives or chemical cleaners as these could damage the finish.**

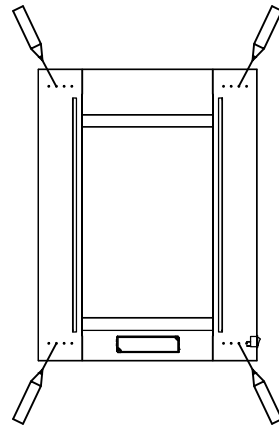
If further assistance is needed please call (479) 646-3466.

Or visit meekmirrors.com for installation video.

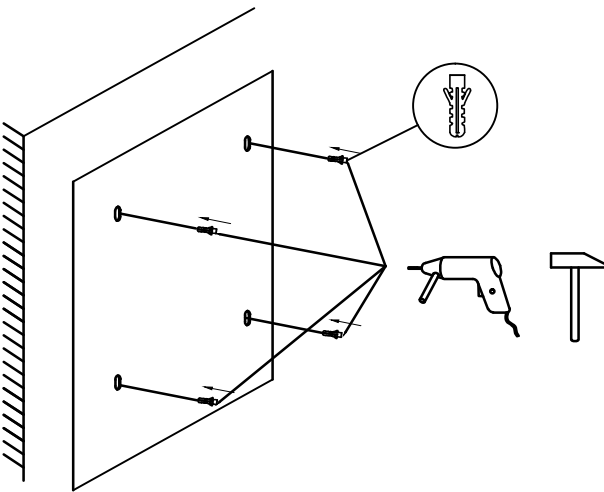
1



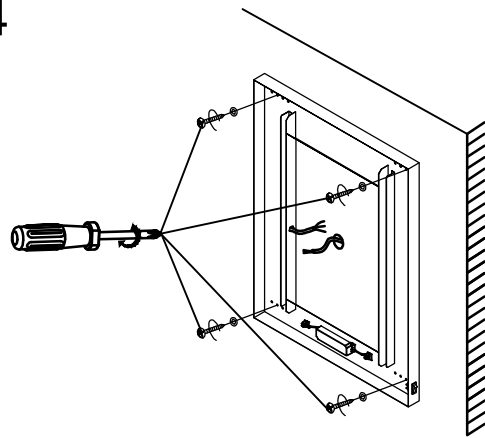
2



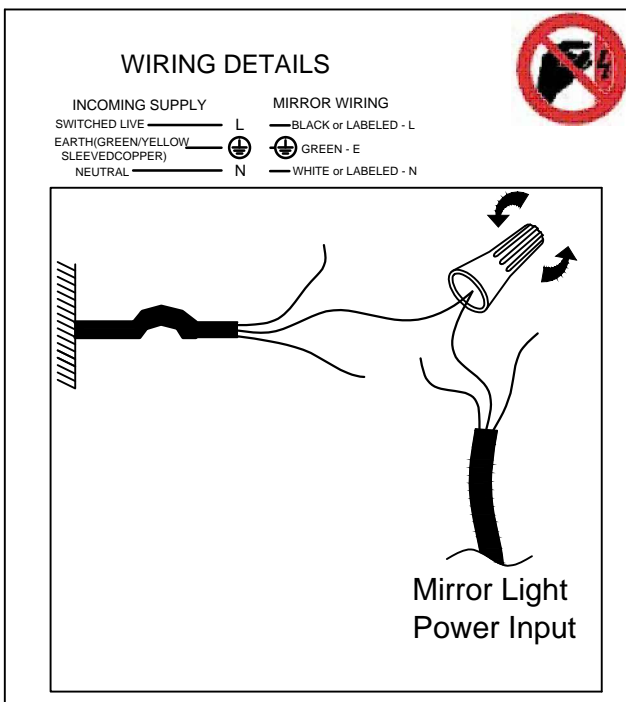
3



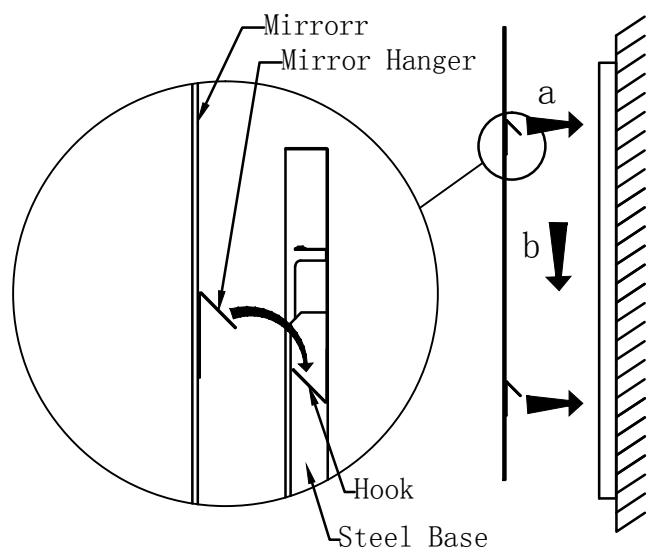
4



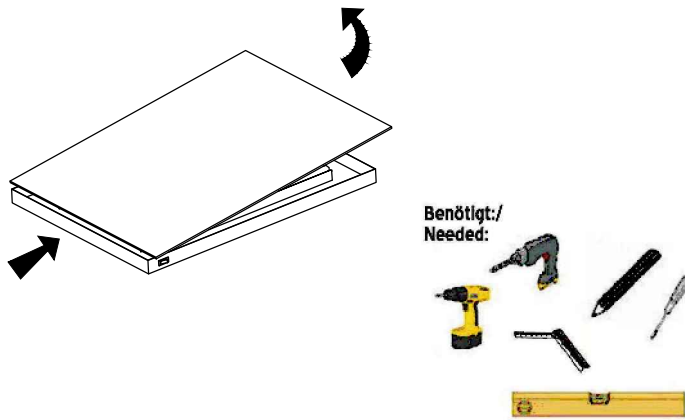
5



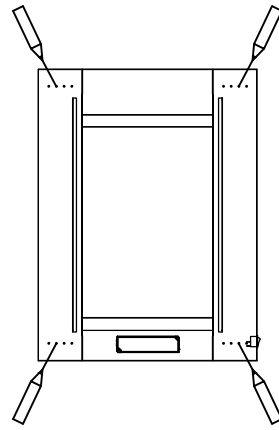
6



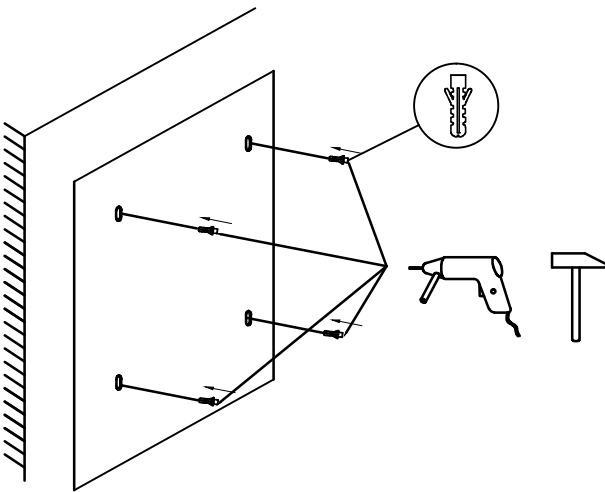
1



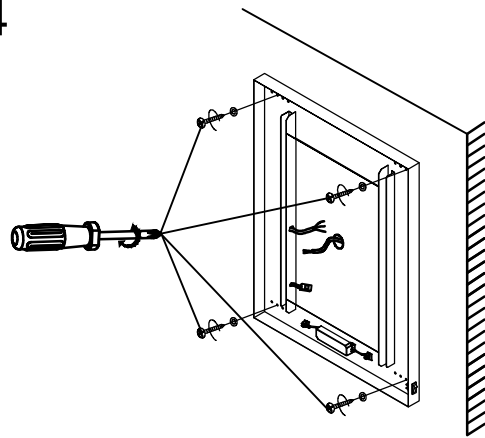
2



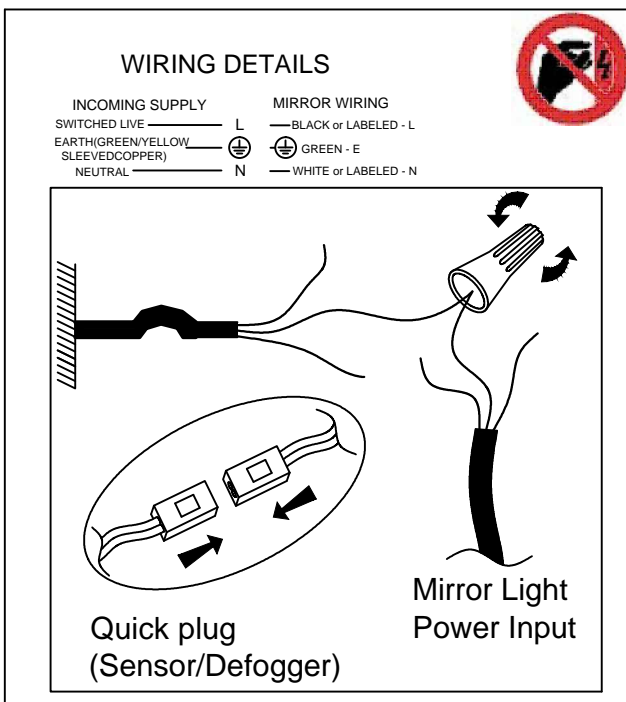
3



4



5



6

