



6201 S ZERO ST  
FORT SMITH, AR

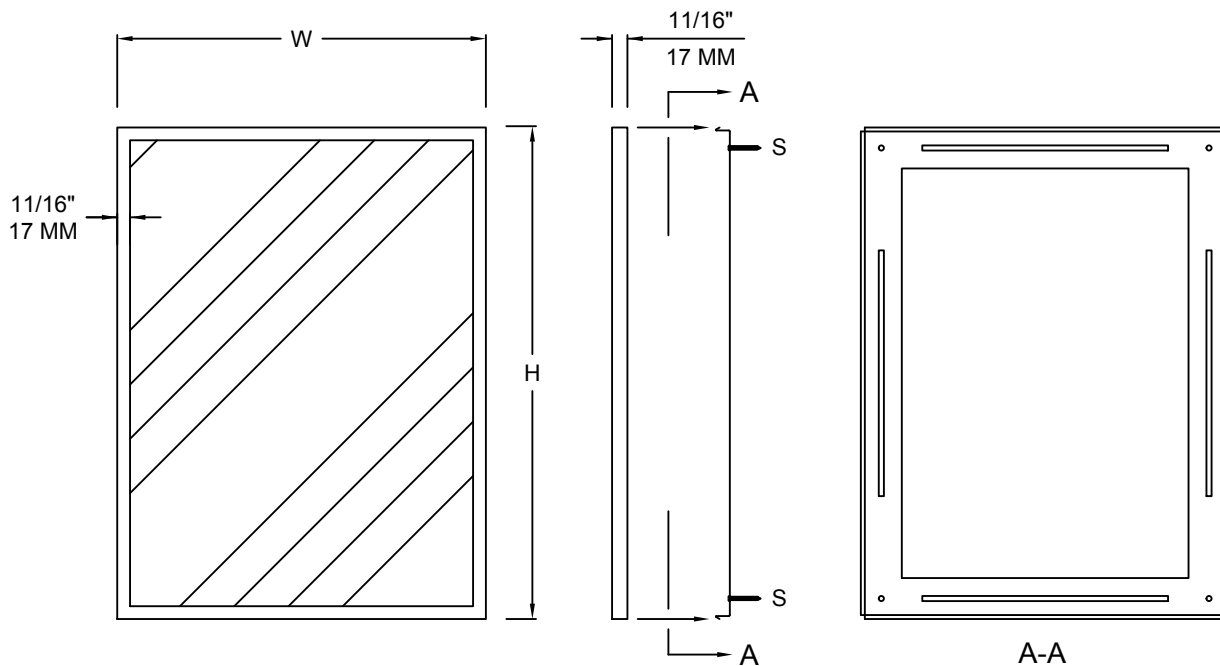
800-643-2533  
MEEKMIRRORS.COM

# ANGLE FRAMED MIRROR M1100 & M1200 SERIES

ARCHITECTURAL SPECS

JULY 2017

M1100/BRIGHT OR M1110/SATIN - STAINLESS STEEL FRAME ONLY  
M1200/BRIGHT OR M1210/SATIN - STAINLESS STEEL FRAMED MIRROR



MIRROR: NO. 1 QUALITY 1/4" (6MM) THICK FLOAT GLASS MIRROR, ELECTROLYTIC COPPER BACK, GUARANTEED FOR 15 YEARS AGAINST SILVER SPOILAGE. OTHER GLAZES AVAILABLE.

MIRROR PROTECTION: RESILIENT ETHAFOAM CUSHIONING STRIPS WITH AMPLE PROVISION FOR VENTING.

WALL PLATE: 22 GAUGE (.76MM) LOCK FORMING QUALITY CORROSION-RESISTANT GALVANIZED STEEL.

FRAME: WELDED CORNER, BOTH THE FACE & SIDES, RIGHT ANGLE-FORMED, TYPE 304, 18 GAUGE (1.06MM) STAINLESS STEEL HIGHLY FINISHED TO A SATIN BRUSH FINISH OR A BRIGHT POLISHED FINISH (OPTIONAL). 11/16" (17MM) FACE, 11/16" (17MM) DEPTH.

GUARANTEE: MEEK MIRRORS GIVES A ONE YEAR GUARANTEE ON ALL OF THEIR PRODUCTS AGAINST DEFECTS IN WORKMANSHIP AND MATERIAL. IMPROPER INSTALLATION VOIDS WARRANTY. MIRROR GLASS IS GUARANTEED 15 YEARS AGAINST SILVER SPOILAGE.

SPECIFICATION: PRODUCT SHALL BE MODEL M1100, M1110, M1200, OR M1210 AS MANUFACTURED BY MEEK MIRRORS, FORT SMITH, ARKANSAS. ABOVE SPECIFICATION IS APPLICABLE TO PRODUCTIONS AS OF THE DATE OF THIS TECHNICAL SPECIFICATION SHEET. THE MANUFACTURER RESERVES THE RIGHT TO MAKE CHANGES IN DESIGN WITHOUT FORMAL NOTICE.

PRODUCT MADE IN THE USA.

VETERAN OWNED SMALL BUSINESS